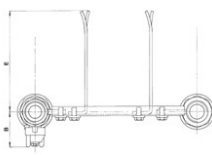
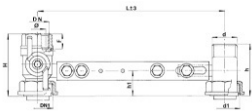




RIV 7630

Unified complete bracket for gas meter
 with a 250 mm. centre-to-centre distance
 adjustable cross piece
 and double rag bolt to embed
 aluminium sealing butterfly handle

Tech drawings and tables

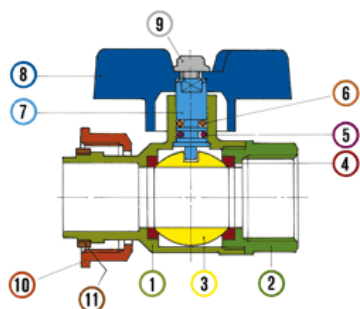


| DNxDN1 | Code | Ø | H | h | L | F | B | E | d1 | d | h1 | PN | KG | P/box |
|------------|--------------|----|------|----|-----|----|------|-----|-------|----|------|----|------|-------|
| 1" x 1"1/4 | 077630000278 | 22 | 82,5 | 70 | 250 | 23 | 54 | 155 | 1"1/4 | 1" | 32,5 | 5 | 1,25 | 5 |
| 1" x 1"1/4 | 077630000281 | 20 | 81,5 | 70 | 250 | 23 | 52,5 | 155 | 1"1/4 | 1" | 32,5 | 5 | 1,18 | 5 |

Advantages

Technical data

Art. 7564



Materials

| Part No. | Part Name | Material | Notes |
|----------|------------------|-----------|-------------------------|
| 1 | Body | Brass | CuZn40Pb2 |
| 2 | Body end | Brass | CuZn40Pb2 |
| 3 | Ball | Brass | CuZn40Pb2 Chrome-plated |
| 4 | Seats | P.T.F.E. | |
| 5 | O-Ring | FKM | |
| 6 | O-Ring | NBR | |
| 7 | Stem | Brass | CuZn39Pb3 |
| 8 | Butterfly handle | Aluminium | GD-AISI12Cu2Fe Yellow |
| 9 | Screw | Steel | Zinc-plated |
| 10 | Swivel nut | Brass | CuZn40Pb2 |
| 11 | Screwed ring | Brass | CuZn39Pb3 |

Connections

Female ISO 7/1Rp (parallel), screwed ring ISO 228/1

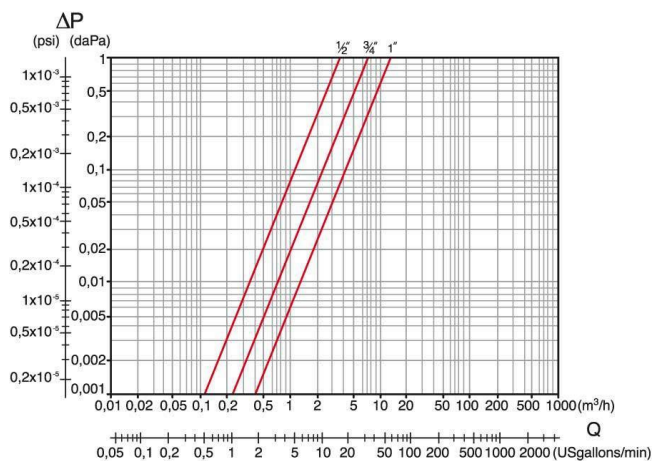
Limit

-20°+70° (without liquid)

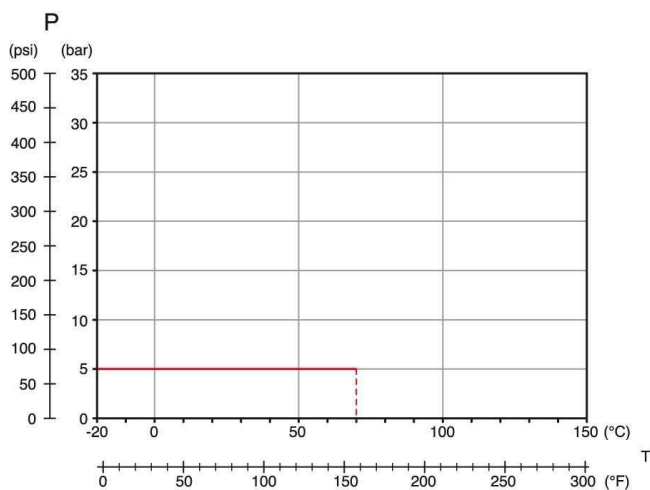
Notes

The max.working pressure (PN) means at a room temperature of about 23°C.

Pressure Loss Chart



Temperature/Pressure



Kv & Cv Coefficients

Size Kv Cv

| | | |
|------|------|---|
| 1" | 42,0 | - |
| 3/4" | 24,0 | - |
| 1/2" | 11,5 | - |

Approvals

